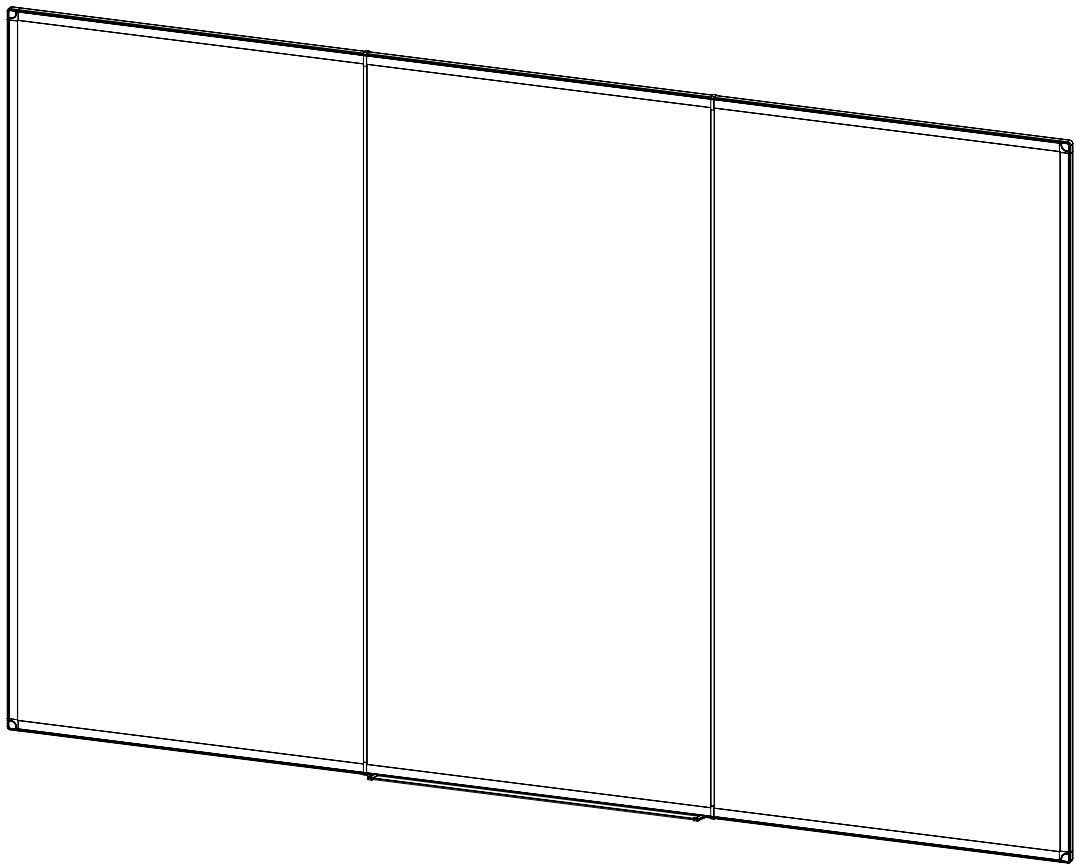


OUTSIZE BOARDS

INSTRUCTIONS • INSTRUCTIES • ISTRUZIONI • ANLEITUNG • INSTRUCCIONES • INSTRUÇÕES

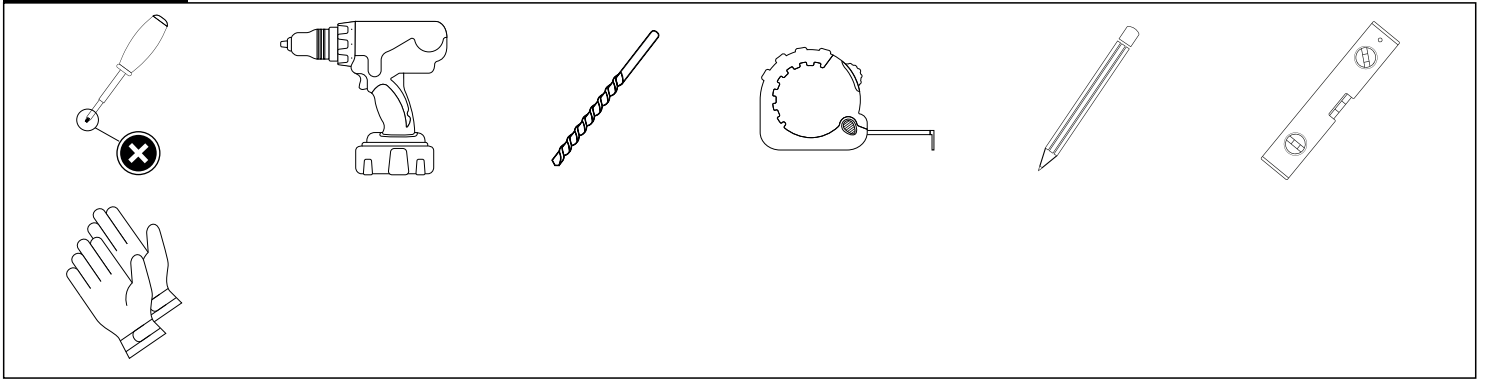


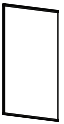

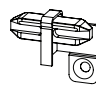
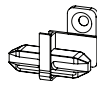




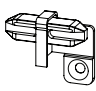
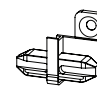


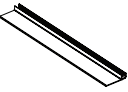


OUTSIZE BOARDS

INSTRUCTIONS • INSTRUCTIES • ISTRUZIONI • ANLEITUNG • INSTRUCCIONES • INSTRUÇÕES



NOT INCLUDED



A.3x 	B.2x 	C.2x 	D.2x 	E.8x 	F.8x 
1800x1000mm					
A.4x 	B.3x 	C.3x 	D.3x 	E.10x 	F.10x 
2400x1000mm					
G.1x 	H.2x 	I.4x 			



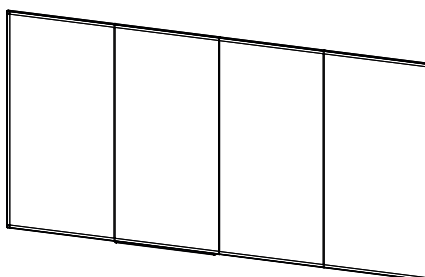
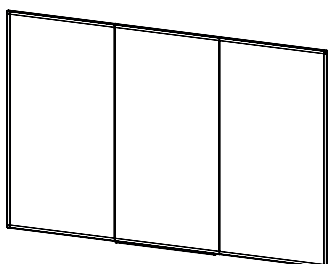
OUTSIZE BOARDS

INSTRUCTIONS • INSTRUCTIES • ISTRUZIONI • ANLEITUNG • INSTRUCCIONES • INSTRUÇÕES



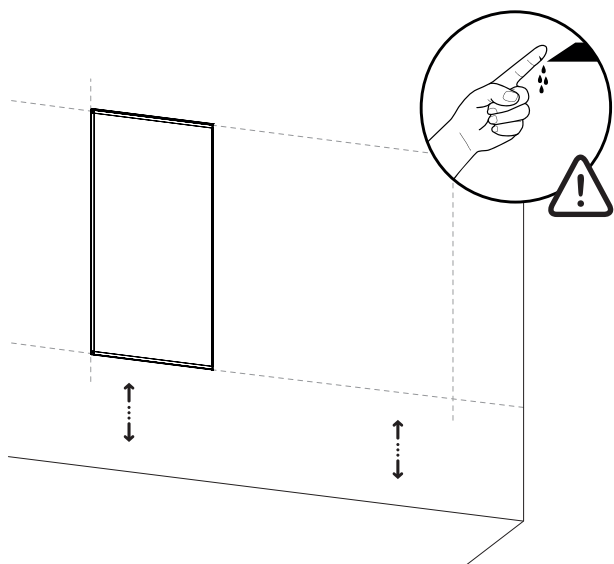
1800x1000mm

2400x1000mm

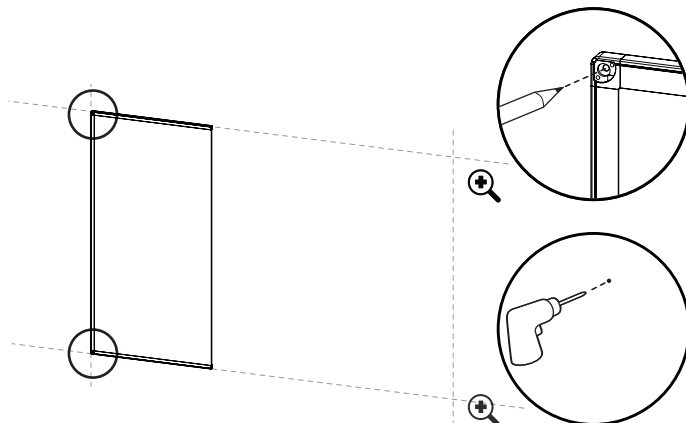


1800x1000mm

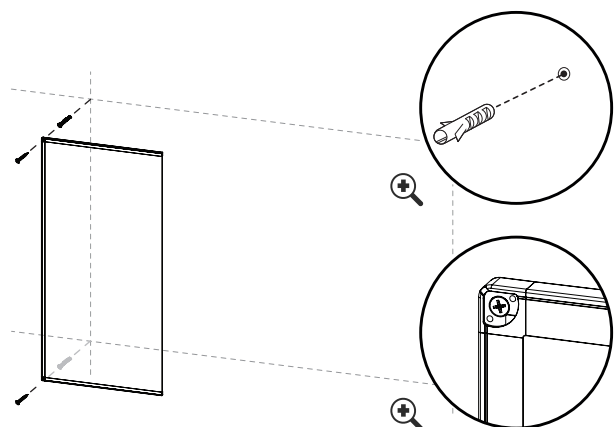
1
1x.A.



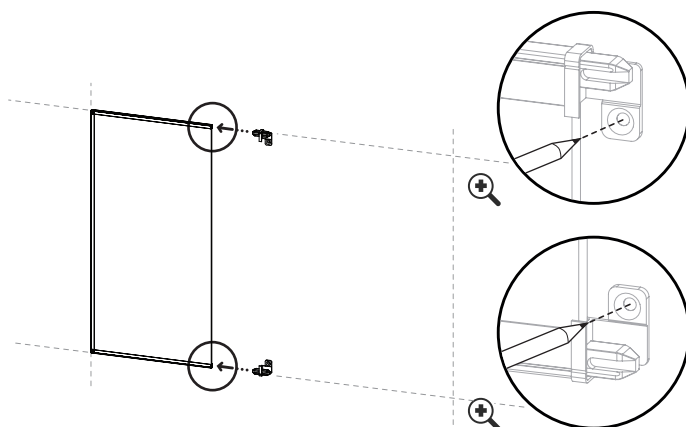
2



3
2x.E.
2x.F.



4
1x.C.
1x.D.



A.3x **B.2x** **C.2x** **D.2x** **E.8x** **F.8x**

1800x1000mm



E.10x

F.10x

G.1x

H.2x

I.4x

2400x1000mm



A.4x **B.3x** **C.3x** **D.3x**

2400x1000mm

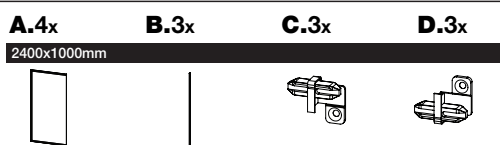
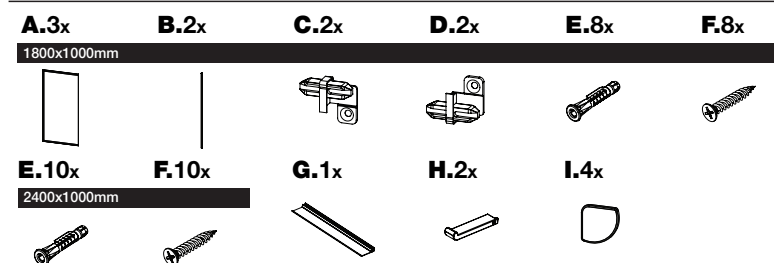
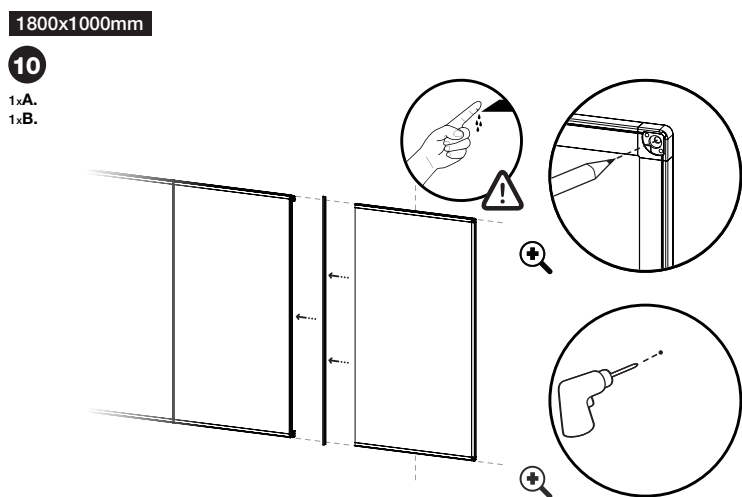
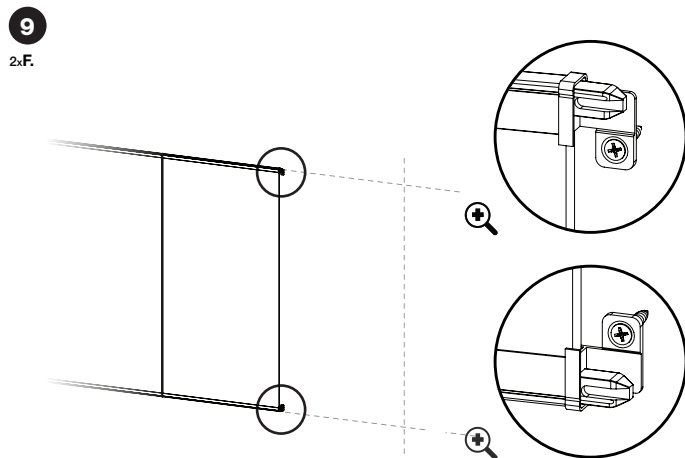
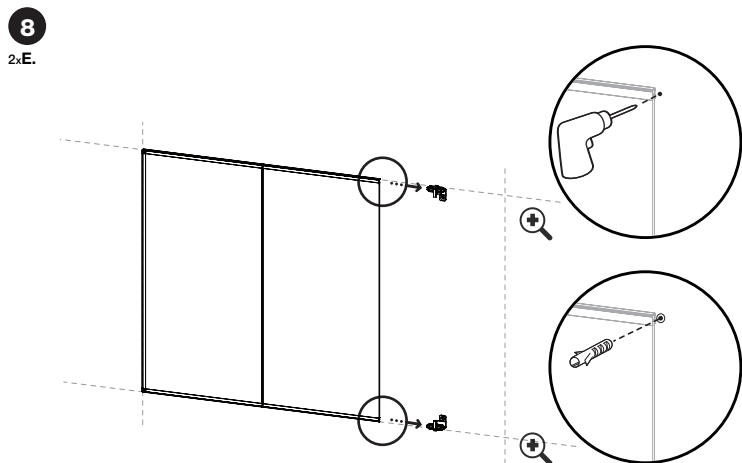
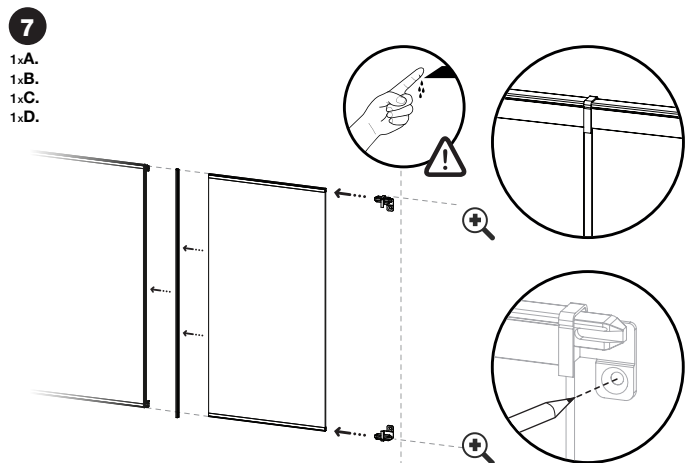
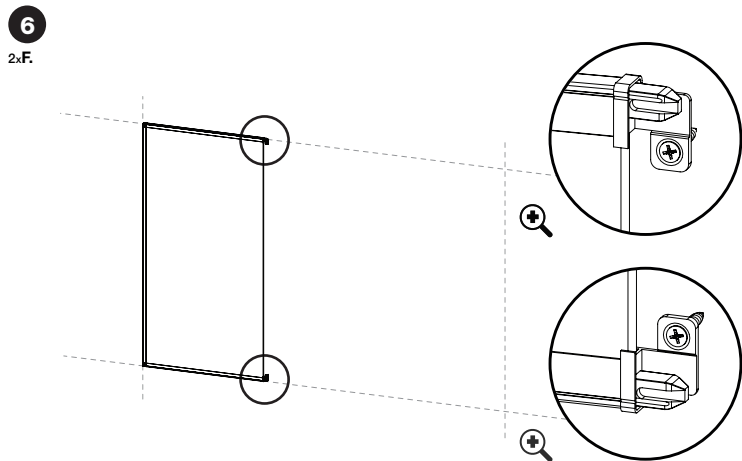
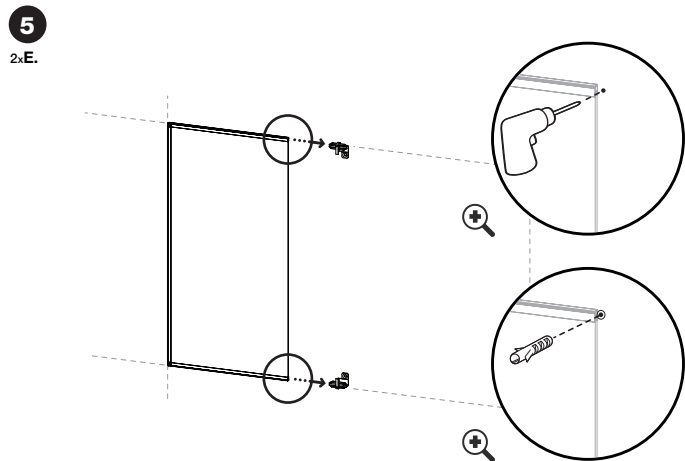


1001380290815_REV01



OUTSIZE BOARDS

INSTRUCTIONS • INSTRUCTIES • ISTRUZIONI • ANLEITUNG • INSTRUCCIONES • INSTRUÇÕES

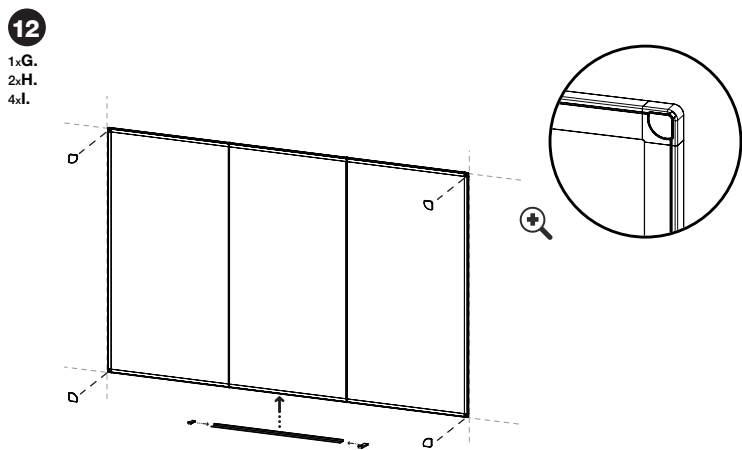
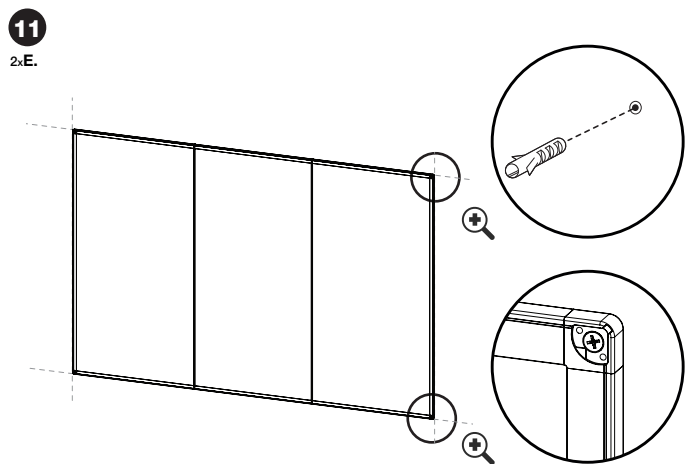


1001380290815_REV01

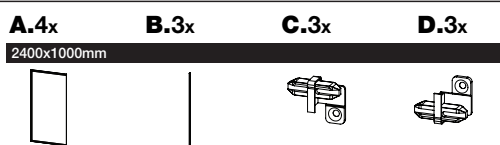
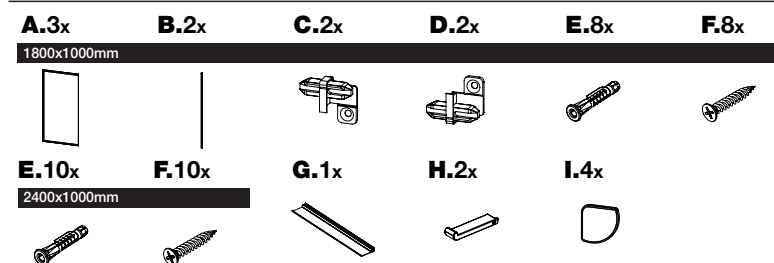
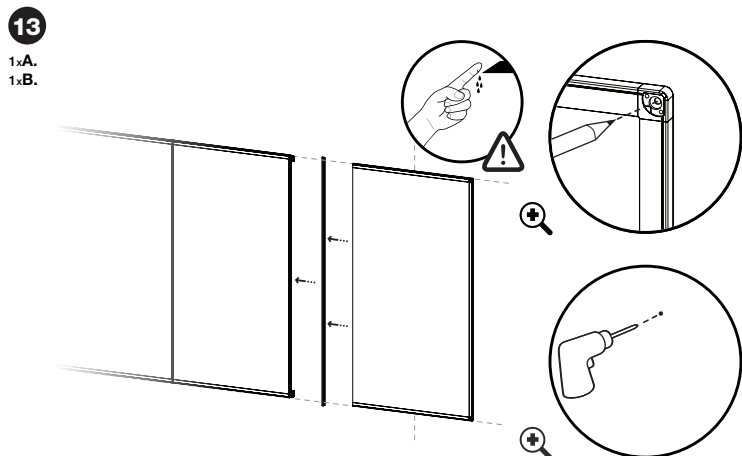
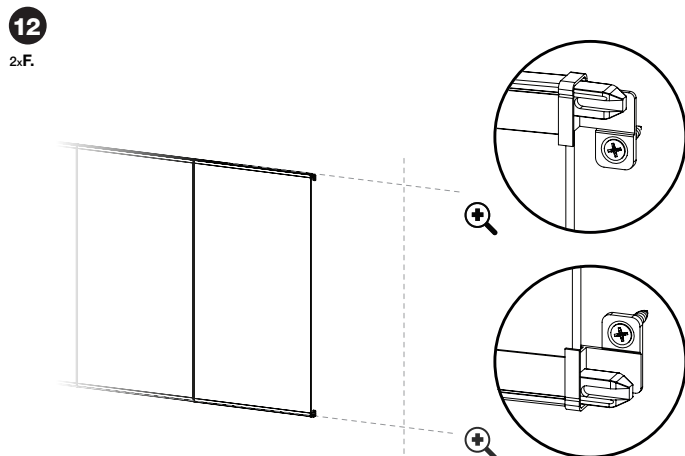
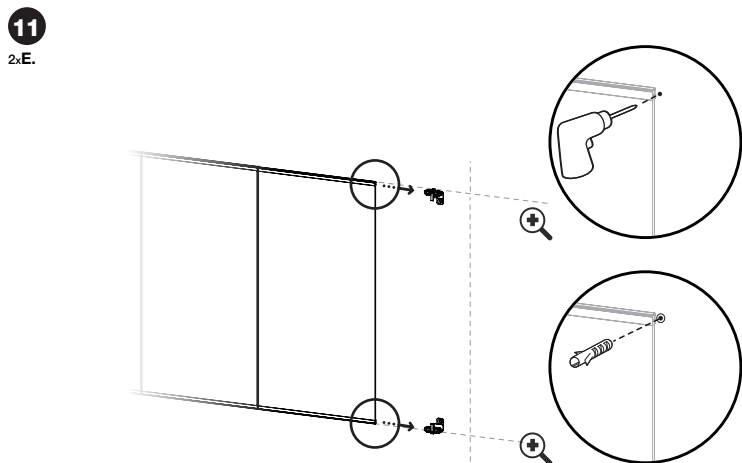
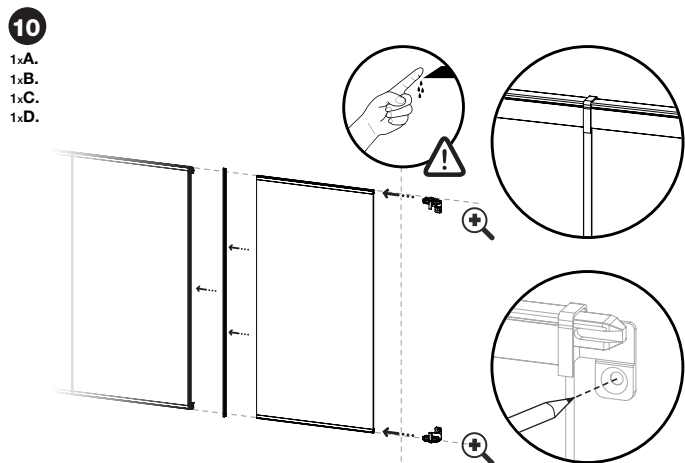


OUTSIZE BOARDS

INSTRUCTIONS • INSTRUCTIES • ISTRUZIONI • ANLEITUNG • INSTRUCCIONES • INSTRUÇÕES



2400x1000mm



1001380290815_REV01



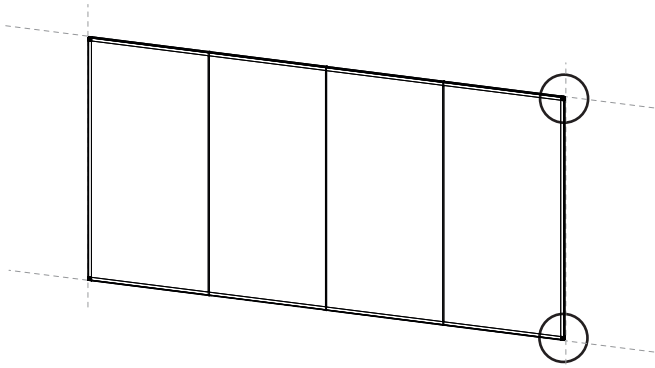
OUTSIZE BOARDS

INSTRUCTIONS • INSTRUCTIES • ISTRUZIONI • ANLEITUNG • INSTRUCCIONES • INSTRUÇÕES



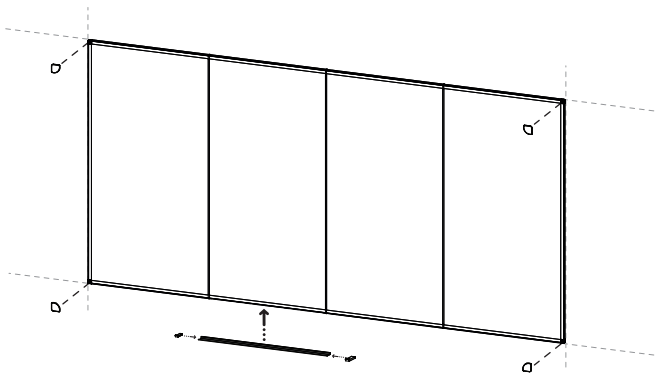
14

2x.E.
2x.F.



15

1x.G.
2x.H.
4x.I.



A.3x **B.2x** **C.2x** **D.2x** **E.8x** **F.8x**

1800x1000mm



E.10x

F.10x

G.1x

H.2x

I.4x

2400x1000mm



A.4x **B.3x** **C.3x** **D.3x**

2400x1000mm



1001380290815_REV01

